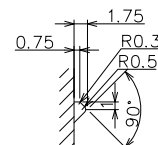
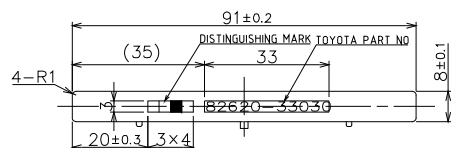
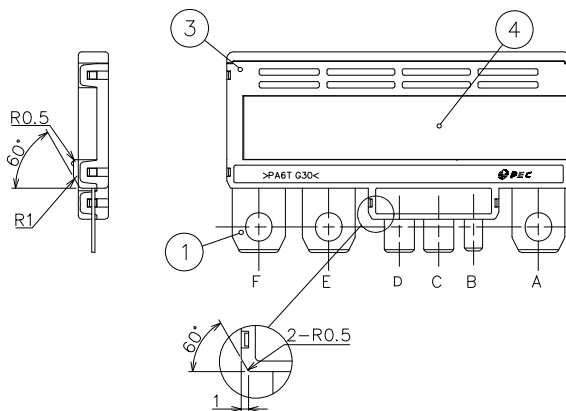
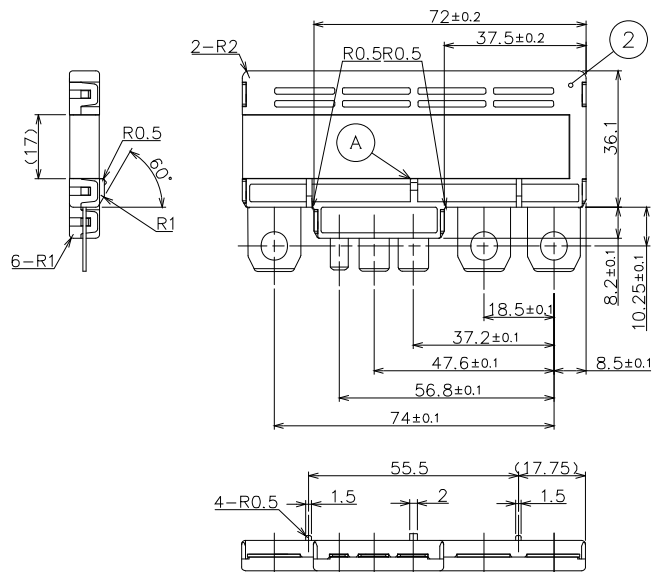
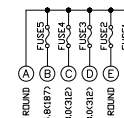


NO.	DATE	REVISION RECORD	SIGN	E.C.N.NO.
△	'12.12.26	製品名称変更。PART NAME CHANGE	KAWASE	-
				-



A (2:1)

<CIRCUIT DIAGRAM>



<ヒューズ容量 FUSE RATING>

PEC PART NO.	3614-00*0	3616-00*0	3618-00*0	3619-00*0	3623-00*0
PEC PART NAME	MUSB-J1-3	MUSB-J1-4	MUSB-J1-5	MUSB-J1-6	MUSB-J1-7
DISTINGUISHING MARK	□□□	□□□	□□□	□□□	□□□
FUSE1	120A	140A	140A	150A	140A
FUSE2	80A	80A	60A	80A	60A
FUSE3	40A	50A	50A	50A	40A
FUSE4	50A	50A	50A	50A	30A
FUSE5	30A	30A	30A	30A	30A
HOUSING COLOR CODE	BLUE	ORANGE	RED	GREEN	BROWN

4	---	COVER	1	PAR		CLEAR
3	---	HOUSING2	1	PA6T		---
2	---	HOUSING 1	1	PA6T		---
1	---	ELEMENT	1	COPPER ALLOY		t0.8
NUMBER	PART NUMBER	PART NAME	Q'TY	MATERIAL	SIZE	REMARKS
APPROVED	<i>dl Oada</i>	DATE		MATERIAL	DIMENSION TOLERANCE	ANGULAR TOLERANCE
CHECKED	<i>mlr</i>	DATE		SEE TABLE	±0.3	-
DESIGNED	<i>F.Kawase</i>	DATE		COAXIAL TOLERANCE	FINISH	RUST PREVENTION
DRAWN	<i>K.HARA</i>	DATE		-	-	-
SCALE	1:1	UNIT	mm	DIAGRAM METHOD	THIRD ANGLE PROJECTION	PART NAME
DRAWING DATE	'12.12.26	DRAWING NAME	G3614-0-2	PART NO. △ MUSB-J1		
図中参照 SEE TABLE						