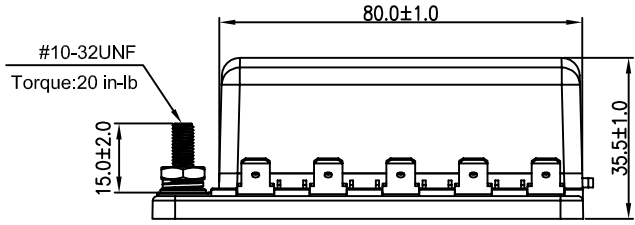
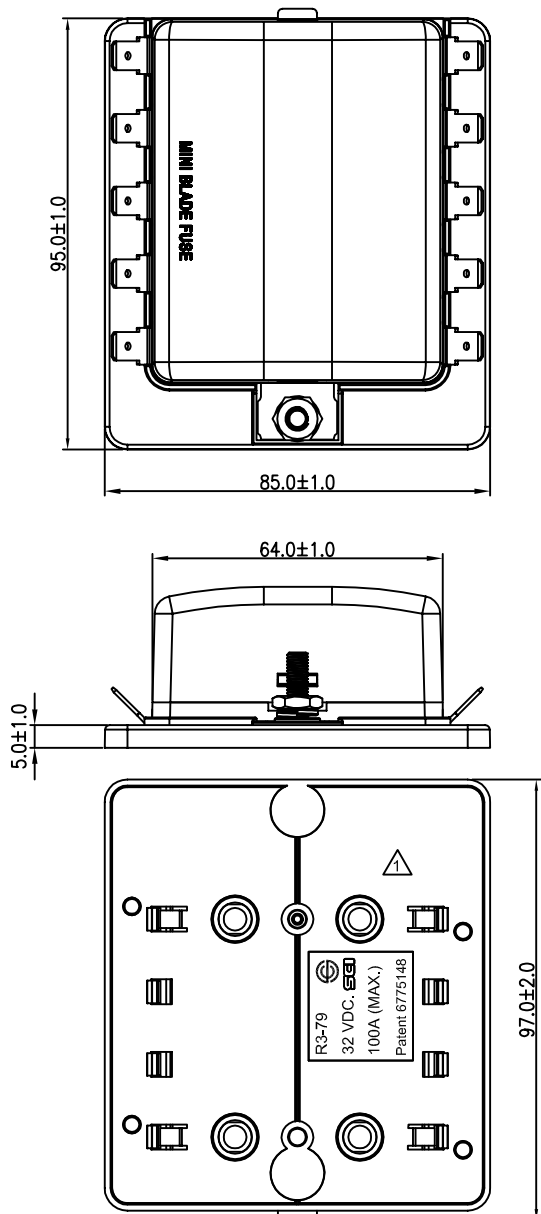


Voltage (Max.)	32 VDC.	Mounting Holes	Mini Blade Fuse Dim.
Input Terminal Rating	#10-32 threaded studs (100A max.)		
Output Terminal Rating	30A max. per circuit.		
Connection Pad Option Available	Input wire size : #4-6 AWG. Output wire size : #12-16 AWG.	Terminal Dim.	
Fuse Specifications	For Mini Blade Fuses Used Only		
Torque Rating	20 in-lb (2.25Nm) max.	<p style="text-align: center;"><b>Circuit Diagram</b></p>	
Mounting Torque Rating	8 in-lb (0.9Nm) max.		
Temperature Rating	-20 °C to 85 °C		



Material :

- Cover : PC. (Transparent)
- Housing & Base : PBT. (Black)
- Push Button : POM. (White)
- Terminal : Tin.-Plated Copper

Notes :

- Rating 100A. max. tested by 4 pcs. 25A. load

12/01/'11	曹盈芳	增加公司Logo	Logo						△	
Date	Name	Description					No.			△
Drawn	Checked	Approved	SCI BOM No.	1310401	Model Name	MINI BLADE FUSE BOX (10P)				
曹盈芳	蘇文峰	王佰山	Customer No.		Model No.	R3-79-01-1L310	Rev.			
12/01/'11	12/08/'11	12/08/'11	Unit	mm	Shin Chin Industrial Co., Ltd.				1	